

Installation Guide for the INKNXMIT001A200 Gateway

Version 1.0.0

Integration of Mitsubishi Electric Ecodan units into KNX control systems

Owner's record

Find the serial number on the silver label on the gateway's housing. For sales or technical assistance, we recommend writing it in the space below:

SN:

This is a KNX Data Secure Gateway

To know more, visit knx.org.

Quick Start

1. Read the safety information.
2. Configure the gateway with ETS.
3. Mount the gateway.
4. Wire the gateway.
5. Check the gateway's status through its LED indicators.

Safety Information



Follow these instructions carefully. Improper work may seriously harm your health and damage the gateway and/or any other equipment connected to it.

Only technical personnel, following these instructions and the country legislation for installing electric equipment, can install and manipulate this gateway.

Install this gateway indoors, in a restricted access location, avoiding exposure to direct solar radiation, water, high relative humidity, or dust.

All wires for communication and power supply (if needed) must only be connected to networks without routing to the outside plant. All communication ports are considered for indoor use and must only be connected to SELV circuits.

Disconnect any system from power before handling or connecting it to the gateway.

Respect the expected polarity of power (if needed) and communication cables when connecting them to the gateway.

Take the necessary antistatic precautions before manipulating the gateway to avoid electrostatic discharges.

Safety instructions in other languages can be found [here](#).

Configuration

Use the official KNX software tool [ETS](#) (ETS 5 or higher is required) to configure this gateway.

To know more about the gateway configuration and commissioning, please refer to the User Manual.

Mounting

General indications



- Do not mount the gateway in air-handling units or conducts.
- Keep communication wires away from power and ground wires.

If mounting the gateway inside the indoor unit



- Ensure the gateway does not block any mobile parts of the unit.
- Leave the gateway on top of a secure, plain surface.



Use double-sided tape to ensure a secure fixing if needed.

Wiring

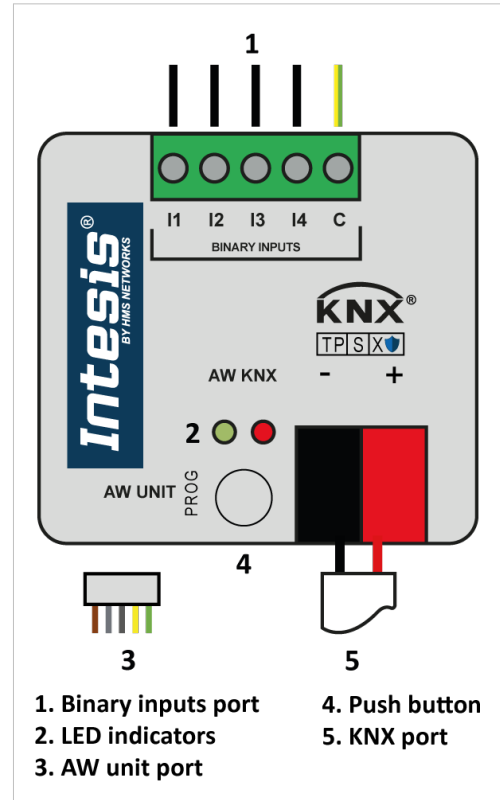


Figure 1. (wire colors are indicative only)

1. Disconnect any system from power before handling or connecting it to the gateway.
2. Mount the gateway in the desired place.
3. Use the supplied cable to connect the Ecodan unit and the gateway:



This cable is 1.5 m (5.77 feet) long. Its modification in length may affect the correct operation of the gateway.

- a. **Ecodan unit connection:** Plug the largest unsheathed cable part connector into the socket CN105 of the Ecodan unit control board.
 - b. **Gateway connection:** Plug the other end connector, the one on the shortest unsheathed part of the cable, into the socket labeled as **AW Unit**.
4. Connect the KNX installation's bus to the gateway's **KNX** port.



- Observe polarity.
- The gateway is powered through the KNX port. See the **Technical Specifications** table below.

5. If needed, connect up to four third-party elements such as occupancy sensors, window contacts, or energy meters, using the gateway's binary input connectors. Use **I1**, **I2**, **I3**, and **I4** connectors for each device, and the **C** connector for the common connection (ground).



This connection is compatible with S0 pulse counter type.



Keep communication wires away from power and ground wires.

LED Indicators

Two LEDs are placed above the push button.

LED	Pattern	Description
RED KNX programming mode	Off	Programming mode disabled
	Steady on	Programming mode enabled
	Blinking ¹	Individual address check
YELLOW Gateway power AW bus activity	Off	No power
	Flashing ²	Communication OK
	Blinking ¹	AW error
	Steady on	Communication error

¹ **Blinking:** 50 % on / 50 % off
² **Flashing:** 10 % on / 90 % off

Push Button

Find the push button below the LED indicators. Use this button to:

- Enable/disable the gateway's KNX programming mode.
- Reset the gateway to the factory settings:
 1. Disconnect the gateway from power.
 2. Press and hold the button.
 3. Connect the gateway to power again.
 4. After five seconds, release the button.



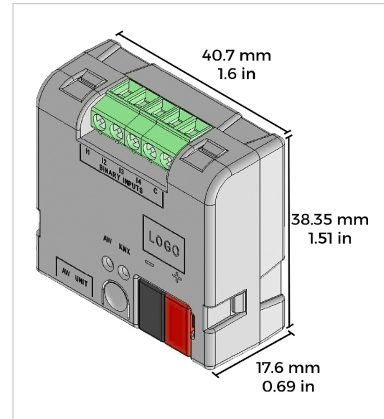
The red LED flashes five times, indicating that the procedure has been completed.

Dimensions

NET DIMENSIONS (HxWxD):

Millimeters: 38.35 x 40.7 x 17.6 mm

Inches: 1.51 x 1.6 x 0.69"



Leave enough clear space to wire the gateway easily and for the subsequent manipulation of elements.

Disposal and Recycling



This product contains electronic components and must be properly disposed of according to local laws and regulations. For further information, refer to: <https://www.hms-networks.com/sustainability>

Technical Specifications

Housing	Material: Plastic, type PC/ABS UL94-V0 Color: Light grey. RAL 7035 Net dimensions (HxWxD): 38.35 x 40.7 x 17.6 mm / 1.51 x 1.6 x 0.69" Protection: IP20
Weight	23 g / 0.8 oz
Mounting	Inside the AW unit
Wiring	Cross-section/gauge per terminal: <ul style="list-style-type: none"> • One core: 0.2 .. 2.5 mm² (24 .. 11 AWG) • Two cores: 0.2 .. 1.5 mm² (24 .. 15 AWG) • Three cores: Not permitted Use solid wires or stranded wires (twisted or with ferrule)
AW port	1 x Specific socket
Binary inputs port	1 x Terminal block (five poles) I1, I2, I3, I4, and C (common)
KNX port	1 x KNX TP-1 standard terminal block (2 poles) <ul style="list-style-type: none"> • KNX power consumption: 7 ma • Voltage rating: 29 VDC • 4000 V isolation from other ports
Buttons	1 x Push button
LED indicators	1 x RED for KNX programming mode 1 x YELLOW for gateway power and AW bus communication status
Operating conditions	Temperature: 0 .. 60°C / 32 .. 140°F Humidity: 5 .. 95% RH, non-condensing

For further information on the installation, connection, and configuration of this gateway, refer to the User Manual.